

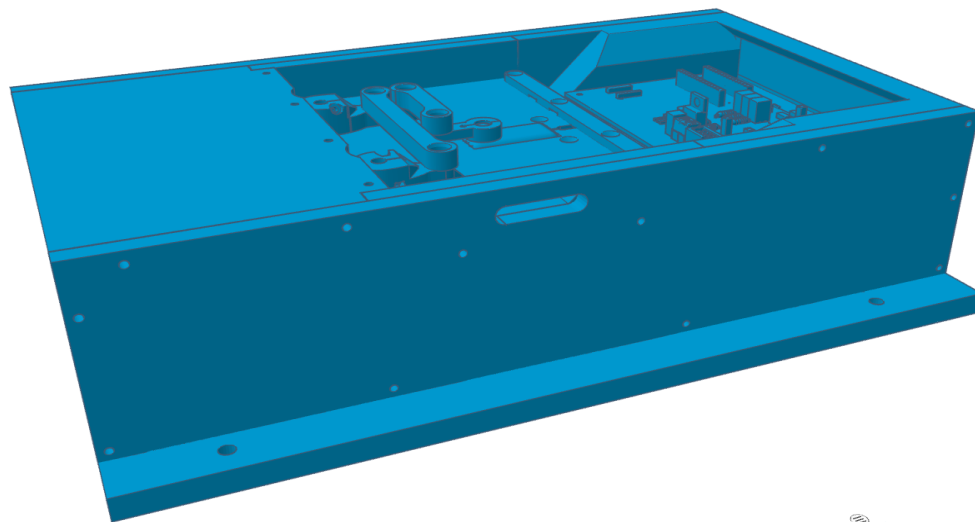
Tuning Table

Price List

EUR

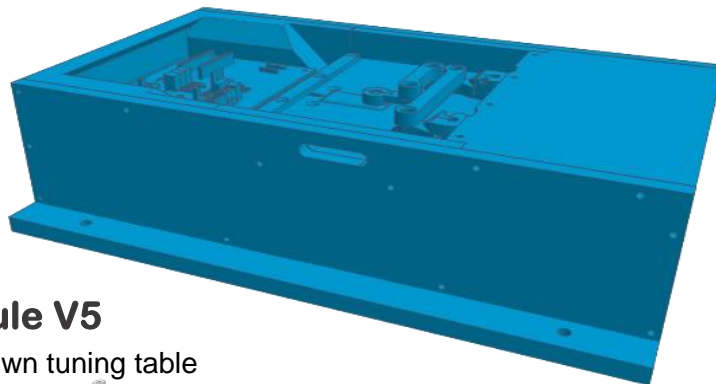


BlowBox Module



valid: June-23

Code



M10 **AKKOtune BlasBox Module V5**

\$714

Blower module for building your own tuning table

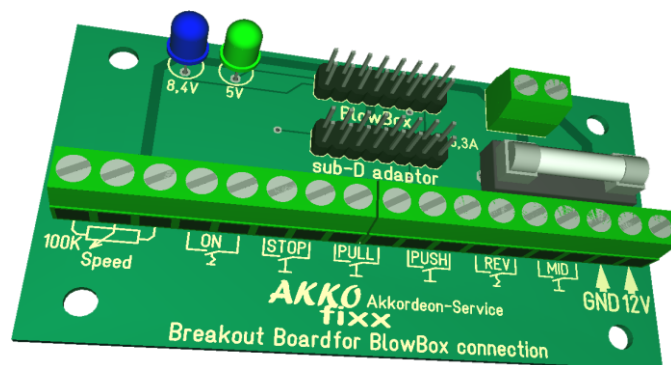
- Microprocessor circuitry for module control
- electronically controlled air flow
- fast electronic PUSH/PULL switching
- Digitalservo for valve control
- Air entry and exit at the bottom
- Breakout board BOB3 for connecting external controls
- Ribbon cable for control, 50 cm long
- 12VDC connecting cable BOB->circuitry
- 12V power supply, wide range input 110-230 VAC
- Connection cable with socket for 12VDC from power supply unit

The module is fully functional with the control via the breakout board BOB.

The control parameters are programmed and tested in the microcontroller.

The breakout board BOB provides connection for the following elements:

- 12V DC input from power supply
- 12V DC output to BlowBox
- 16pin flat cable to BlowBox
- 100K Potentiometer f. Blowerspeed
- Switch ON
- Pushbutton PUSH
- Pushbutton PULL
- Pushbutton STOP
- Pushbutton momentary STOP
- Reverse Switch
- 16pin flat cable to sub-D socket



The BOB has a 6.3A fuse and indicators for the voltages present

- 5V for the control voltage
- 8.4V for the servo voltage

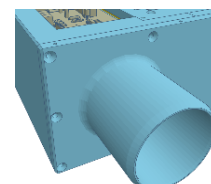
M11 **AKKOtune BlasBox Modul**

Air connection lateral

\$769

as M10, but side air connections

The air connection consists of outer-Ø 50mm flanges, onto which an air pipe/hose with an inner Ø of 50mm is pushed.



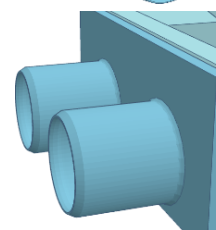
M12 **AKKOtune BlasBox Modul**

Air connection on front side


\$769

as M10, but frontal air connections

The air connection consists of outer-Ø 50mm flanges, onto which an air pipe/hose with an inner Ø of 50mm is pushed.



The following parts are optionally available.
They are not necessary for the operation of the BlasBox.

M20	Cable Adaptor sub-D		
	Ribbon cable, 50 cm long for connecting a 15-pin connection cable for connecting an ATmLE operating unit X11 or X12		
	<ul style="list-style-type: none"> • one end with pin connector, 16-pole • one end with sub-D socket 		
X11	Control Panel ATmLE 1		\$197
	For remote BlowBox control		
	<ul style="list-style-type: none"> • Rotary knob with ON switch and speed adjustment • LED for READY indication • Three pushbuttons for air/wind control • 1,5 m connection cable to sub-D cable adaptor M20. 		
	Dimensions:	H 80 x W 150 x D 60 mm	
	Mounting:	2 eyelets at the back	
	Connections	BlowBox, 12V DC port for AKKOmbar	
	Weight:	0.15kg	
X12	Control Panel ATmLE 2		\$439
	For remote control of the BlowBox and air pressure display		
	<ul style="list-style-type: none"> • Rotary knob with ON switch and speed adjustment • Large air pressure display • Three pushbuttons for air/wind control • approx. 150cm pressure hose, 4mm transparent, hose nipple • 1,5 m connection cable to sub-D cable adaptor M20. 		
	Dimensions:	H 80 x W 150 x D 60 mm	
	Mounting:	2 eyelets at the back	
	Connections:	BlowBox, pressure measuring pipe	
	Weight:	0.24kg	
X7	AKKOmbar	external Air Pressure Gauge for tuning	\$329
	Desktop meter and display for air pressure in the tuning table		
	<ul style="list-style-type: none"> • Connectors for air pressure hose and power supply on the back. • Large backlit LC-display with 14mm high characters. • With turning knob for Zero adjustment. 		
	Including:		
	Air pressure hose, 1m		
	Hose nipple for connection to the tuning table/bellows		
	12 DC power plug, 1A		
	User guide for installation and operation.		
	Measuring range in Millibar:	-20 to +20 mbar (1 mbar = 100 Pascal)	
	Dimensions:	W 85 x D 145 x H 73 mm	
A1-0	under-table air flange , angled 60 °, with pressure probe, rotatable 360 °		\$138
A1-1	under-table air flange , straight, with pressure probe		\$83
A1-2	Hose nipple for 4mm pressure measuring hose, M5 thread		\$2
	Air hose to connect the BlowBox with a flange.		
	Both ends with sleeves for simple airtight plugging on 50mm flanges		
B5-8		80 cm long, black, 50mm ID	\$33
B5-10		as above 100 cm long, black, 50mm ID	\$36
B5-12		as above 120 cm long, black, 50mm ID	\$41
B5-15		as above 150 cm long, black, 50mm ID	\$46



Robert Thielmann
Sagigut 9
5036 Oberentfelden
Schweiz

UID-Reg.: CHE-155-382.728

Tel. +41 62 723 38 04
Mob.CH +41 76 470 25 65
Mob.DE +49 159 02 7979 02
eMail akkofixx@akkofixx.com
web www.akkofixx.com

Bank Accounts

CHF /	Aargauische Kantonalbank	AKKOfixx Akkordeon-Service
USD		IBAN: CH43 0076 1644 5392 2200 1
		BIC: KBAGCH22
EUR	comdirect Bank AG, DE Quickborn	Robert Thielmann
		IBAN: DE22 2004 1155 0419 3348 00
		BIC: COBADEHD055